



Included:

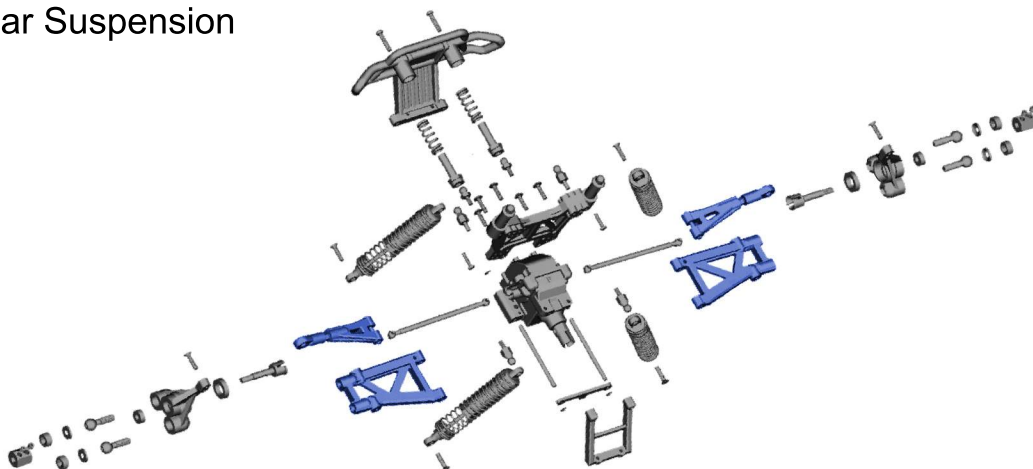
- 08037b Front lower arm (2)
- 08036B Front upper Arm (2)
- 122057 Servo Saver
- 08039B Rear lower arm(2)
- 08070B Rear upper arm (2)
- 188015 CVA's (2)
- 02186 Front Knuckle (2)
- 3x12 BHS (4)

This hop-up kit is a direct fit. Remove the original plastic parts and replace them with the new aluminum parts. Be sure to align the new aluminum parts exactly as the original parts were. Use all of the hardware included with this kit.

Reuse original bearings, ball studs, and rear drive shafts.

The shaded parts in the diagrams will be replaced with the parts in this hop-up kit.

Rear Suspension



Servo Saver



Front Suspension

