

**Includes :**

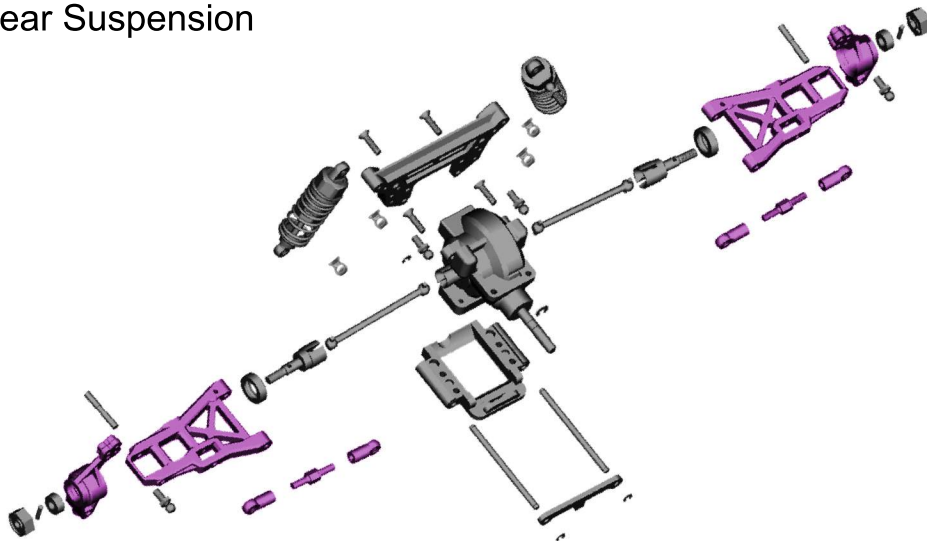
- 02131P Steering Knuckle (2)
- 02132P C-Hub (2)
- 02130P Rear Hub Carrier (2)
- 102017 Turnbuckle with Machined rod end (4)
- 02160 Rear lower arm (2)
- 102057 Servo Saver
- 02161 Front Lower Arm (2)
- 3x14 BHS (10)
- 3x12 BHS (2)
- 3x3 Grub Screw (2)

This hop-up kit is a direct fit. Remove the original plastic parts and replace them with the new aluminum parts. Be sure to align the new aluminum parts exactly as the original parts were. Use all of the hardware included with this kit.

Reuse original bearings, ball studs, and drive shaft components.

The shaded parts in the diagrams will be replaced with the parts in this hop-up kit.

Rear Suspension



Servo Saver



Front Suspension

