



# Tornado S30 / Vortex SS Pro Hop-Up Kit

**Included:**

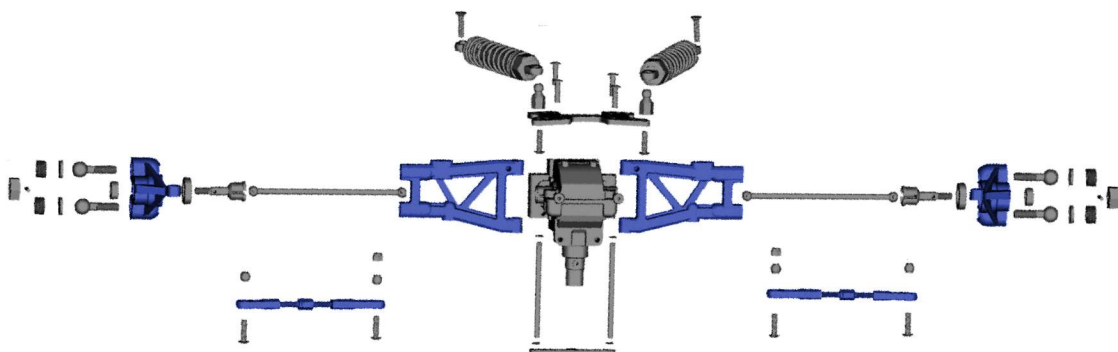
- 06048B turnbuckle with Machined rod ends (4)
- 122057 Servo Saver
- 06039B Front upper arm (2)
- 06066B Front Steering Knuckle (2)
- 06040B Front lower arm (2)
- 06042B Rear lower arm(2)
- 06067B Rear hub carrier (2)
- 3x14 BHS (6)
- 3x12 BHS (2)

This hop-up kit is a direct fit. Remove the original plastic parts and replace them with the new aluminum parts. Be sure to align the new aluminum parts exactly as the original parts were. Use all of the hardware included with this kit.

Reuse original bearings, ball studs, and drive shaft components.

The shaded parts in the diagrams will be replaced with the parts in this hop-up kit.

## Rear Suspension



## Servo Saver



## Front Suspension

