



*Includes :*

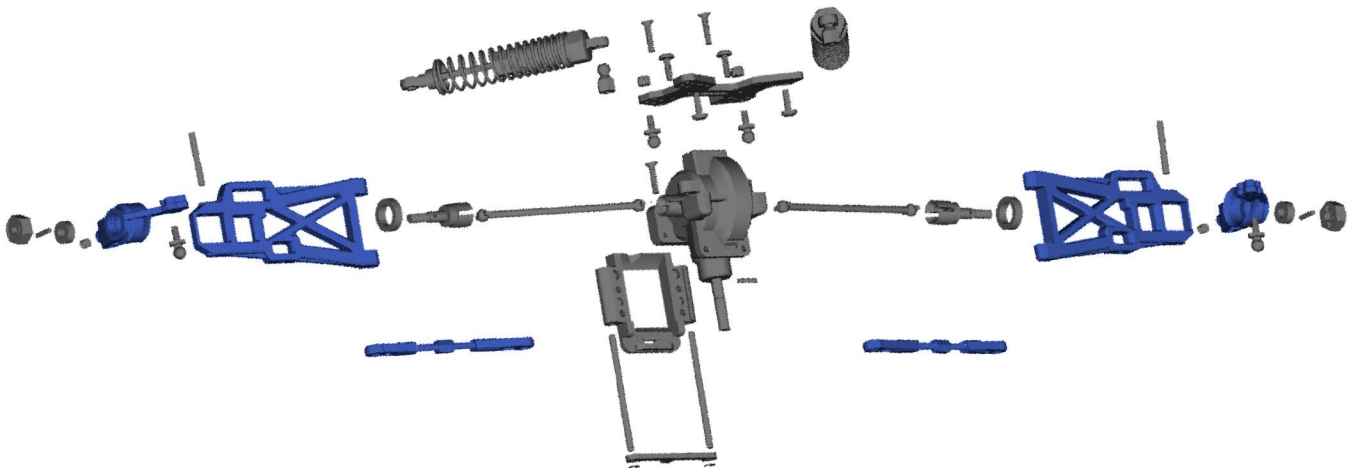
- 02131 Steering Knuckle (2)*
- 06048B Turnbuckle with Machined Rod ends (4)*
- 02130B Rear hub carrier (2)*
- 06049B Rear lower arm (2)*
- 02132B Front Hub Carrier (2)*
- 06050 Front lower arm (2)*
- 3x14 BHS (10)*
- 3x12 BHS (2)*
- 3x3 Grub Screw (2)*

This hop-up kit is a direct fit. Remove the original plastic parts and replace them with the new aluminum parts. Be sure to align the new aluminum parts exactly as the original parts were. Use all of the hardware included with this kit.

Reuse original bearings, ball studs, and drive shaft components.

The shaded parts in the diagrams will be replaced with the parts in this hop-up kit.

Rear Suspension



Front Suspension

