



LIGHTNING Pro, Drift, & STK Hop-Up Kit

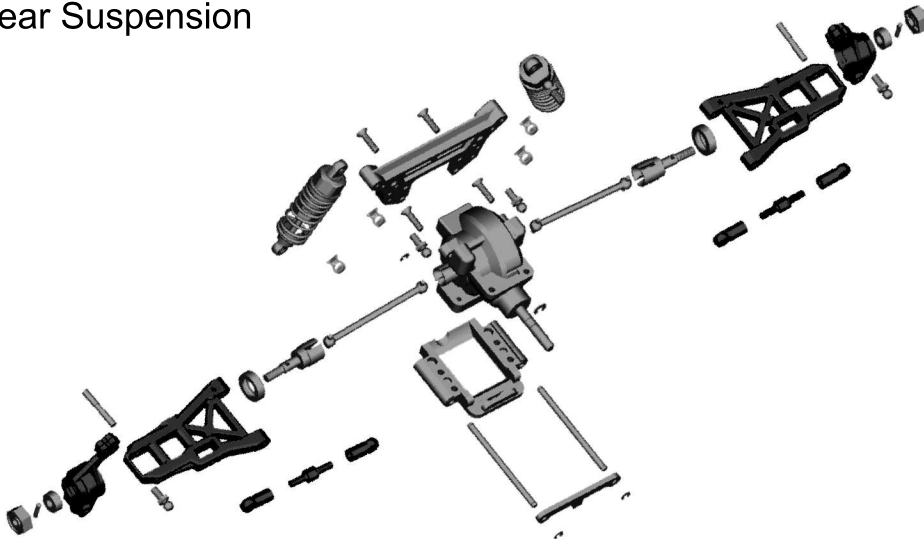
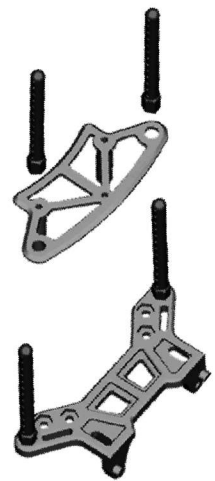
Includes :

- 02161(B) Front Lower arm (2)
- 02131 (P) Steering knuckle (2)
- 02160(B) Rear lower arm (2)
- 02132(B/P) C-Hub (2)
- 122217 / 102017 Turnbuckle with machined aluminum rod ends (4)
- 02130(B/P) Rear hub carrier (2)
- 122237 / 02144 Body posts (4)
- 3x14 BHS (10)
- 3x12 BHS (2)
- 3x10 BHS (4)
- 3x3 Grub Screw (2)

This hop-up kit is a direct fit. Remove the original plastic parts and replace them with the new aluminum parts. Be sure to align the new aluminum parts exactly as the original parts were. Use all of the hardware included with this kit.

Reuse original bearings, ball studs, and drive shaft components.

The shaded parts in the diagrams will be replaced with the parts in this hop-up kit.

Rear Suspension**Servo Saver****Front Suspension**